



CLIENT:



PRINT REDUCTION BAR | A3 SHEET

ALL RIGHTS RESERVED. NO REPRODUCTION UNLESS WRITTEN CONSENT GIVEN

Drawing Status	Date.	Rev.	Drawn.	Auth.	Date.	Rev.	Drawn.	Auth.
F Feasibility	15.11.21	F1	FM	EGW				
S Sketch Design	24.11.21	F5	FM	EGW				
Pr Preliminary								
P Planning								
B Building Control								
D Developed Design								
M Measurement								
T Tender								
C Construction								

Pegw A

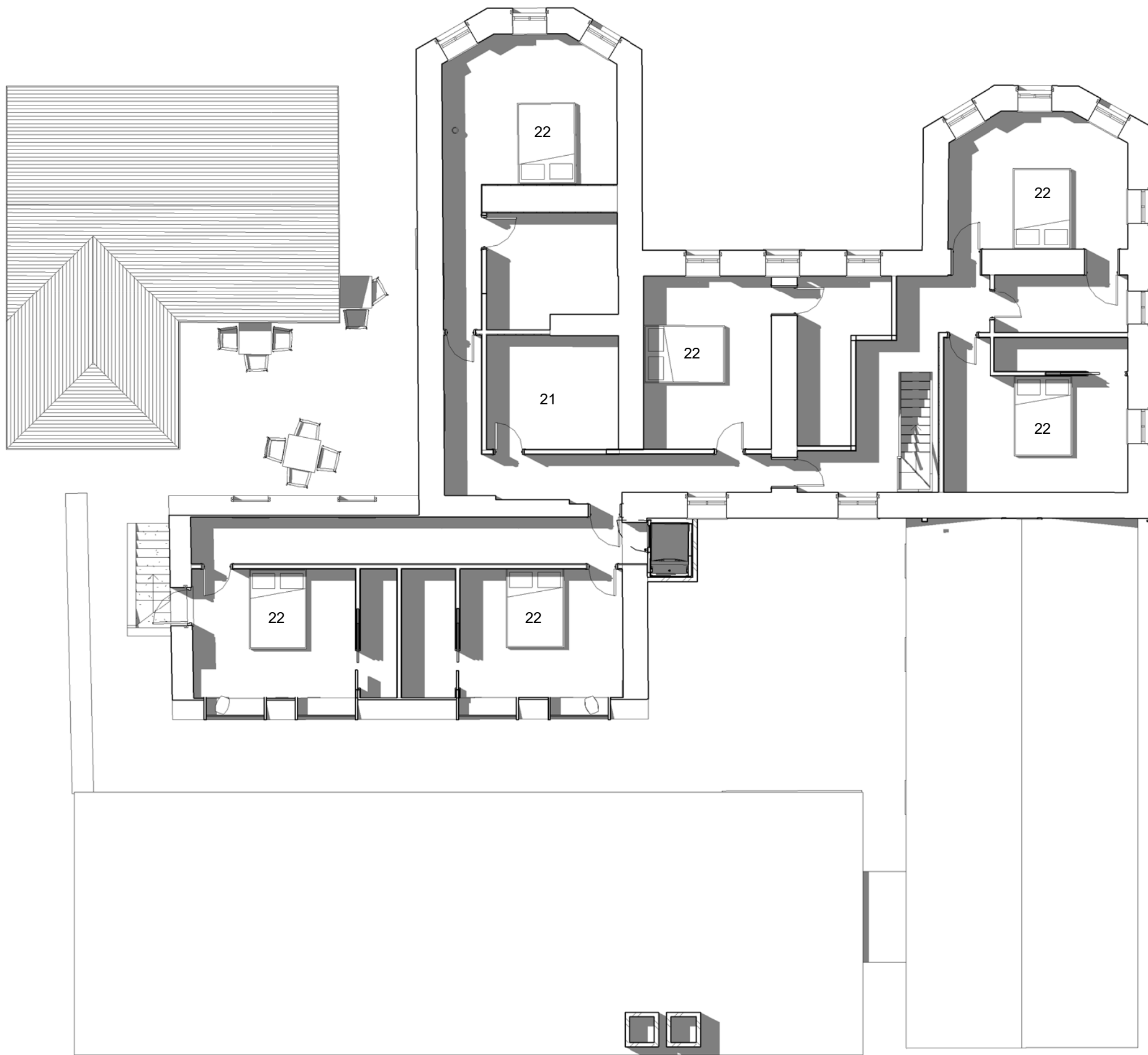
Prosiect Ty'n Llan, Llandwrog

PegwArchitects Ltd.
Twithill Cottage,
Mount Pleasant Square,
Caermarfon,
LL55 1PA.

holl-elinorgw@outlook.com
www.pegwarchitects.com

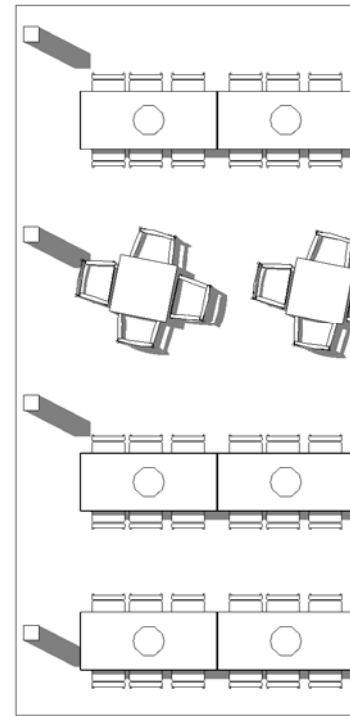
Option 1 / Opslwn 1 - External View

Project:	No:	Revision:
Ty'n Llan		
Scale:	1:100	Status:



Plan Key:

- 1) Bar
- 2) Traditional Pub / Tafarn Traddodiadol
- 3) TV
- 4) Piano
- 5) Pool Table / Bwrdd Pwl
- 6) Kitchen / Cegin
- 7) Dining Area / Ardal Fwyta
- 8) Fire / Tân
- 9) Toilets / Toiledau
- 10) Event Space / Gofod Digwyddiadau
- 11) Servery / Man Gweini Bwyd
- 12) Small Bar / Bar Bach
- 13) Staff Room / Ystafell Staff
- 14) External Seating Area / Ardal Seddi Allanol
- 15) Lift / Lift
- 16) Outdoor Seating / Seddi tu allan
- 17) Woodfire Pizza Ovens / Ffwrn Pizza
- 18) Outdoor Bar / Bar Awyr Agored
- 19) Edible Planting for Kitchen / Plannu Bwydadwy ar gyfer Cegin
- 20) Bike Racks / Raciau Beic
- 21) Office / Swyddfa
- 22) Bedroom with En suite / Ystafell Wely gydag En suite
- 23) Terrace / Teras
- 24) Store / Storf
- 25) Multi Functional Room / Ystafell Aml Ddefnydd
- 26) Plant Room / Ystafell Fecanyddol



CLIENT:



PRINT REDUCTION BAR | A3 SHEET

ALL RIGHTS RESERVED. NO REPRODUCTION UNLESS WRITTEN CONSENT GIVEN

Drawing Status	Date.	Rev.	Drawn.	Auth.	Date.	Rev.	Drawn.	Auth.
F Feasibility	03.07.21	F1	FM	EGW				
S Sketch Design	06.09.21	F2	FM	EGW				
Pr Preliminary	16.09.21	F3	FM	EGW				
Pf Planning	15.11.21	F4	FM	EGW				
B Building Control	24.11.21	F5	FM	EGW				
D Developed Design								
M Measurement								
T Tender								
C Construction								

Pegw A

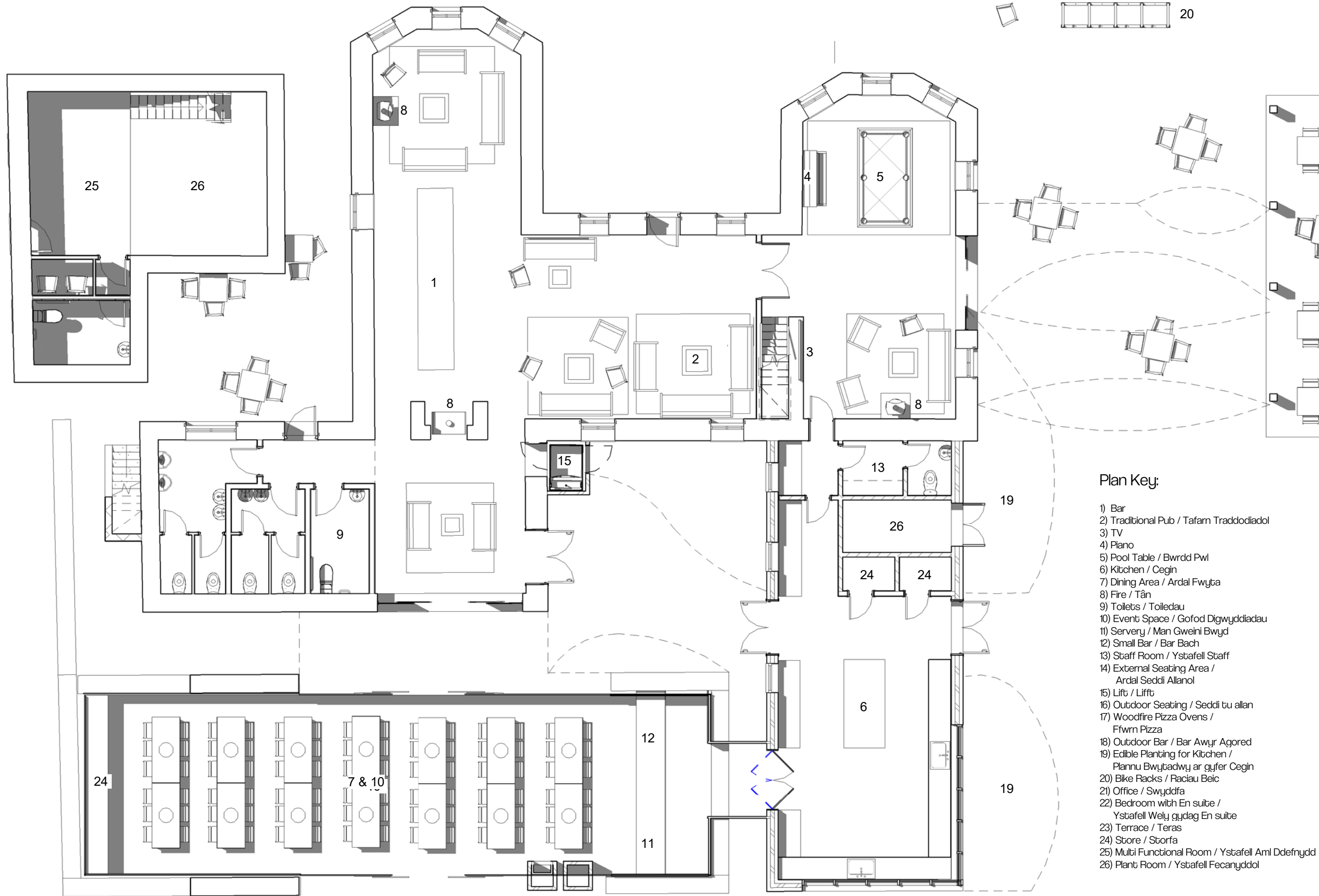
Prosiect Ty'n Llan, Llandwrog

PegwArchitects Ltd.
Twithill Cottage,
Mount Pleasant Square,
Caermarfon,
LL55 1PA.

holl-elinorgw@outlook.com
www.pegwarchitects.com

Option 1 / Opsw'n 1 - Cynllun Llawr Uchaf / First Floor Plan

Project:	No.	Revision:
Ty'n Llan		
Scale:	1:100	Status:



- Plan Key:**
- 1) Bar
 - 2) Traditional Pub / Tafarn Traddodiadol
 - 3) TV
 - 4) Piano
 - 5) Pool Table / Bwrdd Pwl
 - 6) Kitchen / Cegin
 - 7) Dining Area / Ardal Fwyta
 - 8) Fire / Tân
 - 9) Toilets / Toiledau
 - 10) Event Space / Gofod Digwyddiadau
 - 11) Servery / Man Gweini Bwyd
 - 12) Small Bar / Bar Bach
 - 13) Staff Room / Ystafell Staff
 - 14) External Seating Area / Ardal Seddi Allanol
 - 15) Lift / Lifftr
 - 16) Outdoor Seating / Seddi tu allan
 - 17) Woodfire Pizza Ovens / Ffrwrn Pizza
 - 18) Outdoor Bar / Bar Awyr Agored
 - 19) Edible Planting for Kitchen / Plannu Bwybadwy ar gyfer Cegin
 - 20) Bike Racks / Raciau Beic
 - 21) Office / Swyddfa
 - 22) Bedroom with En suite / Ystafell Wely gydag En suite
 - 23) Terrace / Teras
 - 24) Store / Stofa
 - 25) Multi Functional Room / Ystafell Aml Ddefnydd
 - 26) Plant Room / Ystafell Fecanyddol

CLIENT:

0 10 20 30 40 50mm

PRINT REDUCTION BAR | A3 SHEET

ALL RIGHTS RESERVED. NO REPRODUCTION UNLESS WRITTEN CONSENT GIVEN

Drawing Status	Date.	Rev.	Drawn.	Auth.	Date.	Rev.	Drawn.	Auth.
F Feasibility	03.07.21	F1	FM	EGW				
S Sketch Design	06.09.21	F2	FM	EGW				
Pr Preliminary	16.09.21	F3	FM	EGW				
Pf Planning	15.11.21	F4	FM	EGW				
B Building Control	24.11.21	F5	FM	EGW				
D Developed Design								
M Measurement								
T Tender								
C Construction								

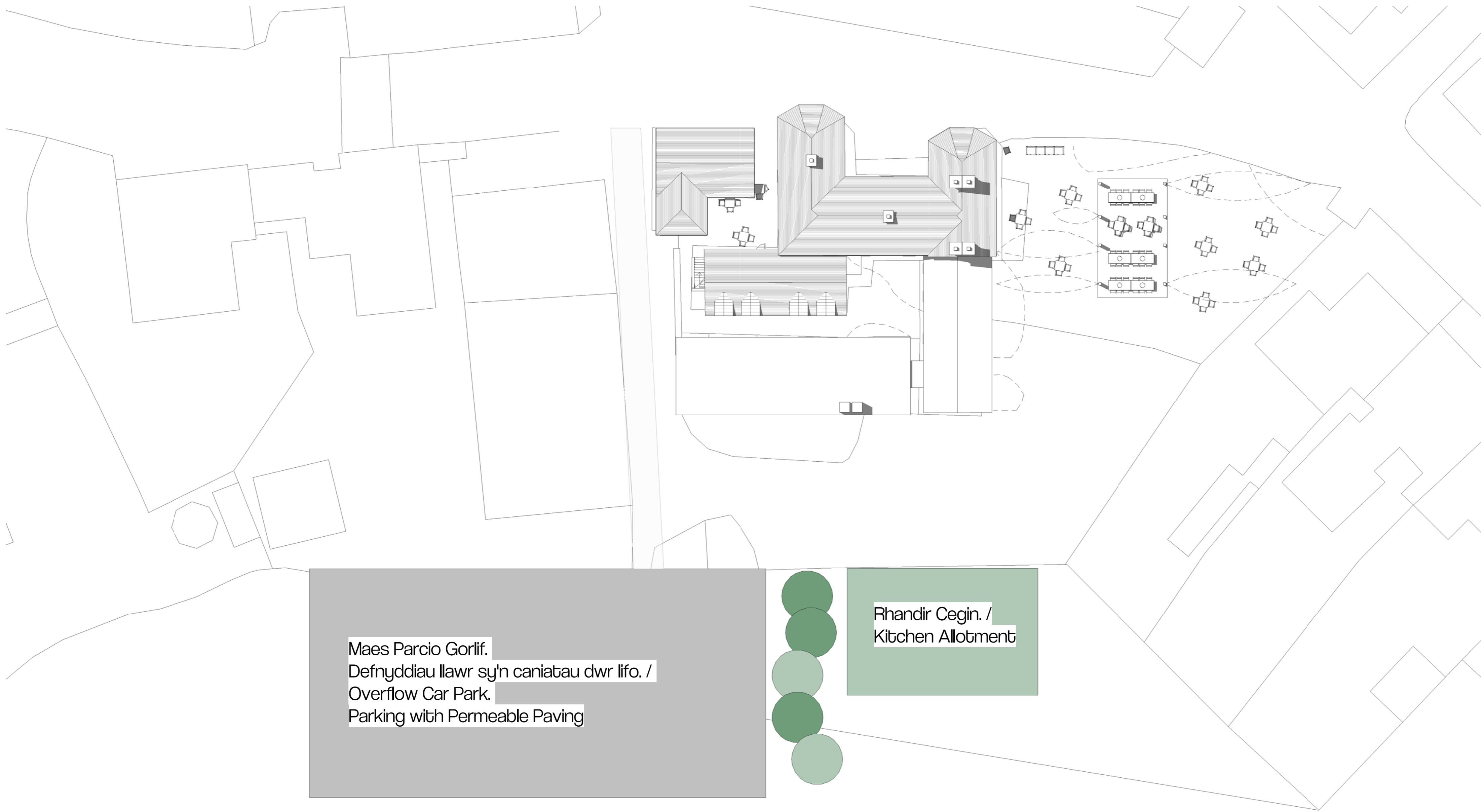
Pegw A

Prosiect Ty'n Llan, Llandwrog

Option 1 / Opstwn 1 - Cynllun Llawn Isaf / Ground Floor Plan

PegwArchitects Ltd.
 Twthill Cottage,
 Mount Pleasant Square,
 Caernarfon,
 LL55 1PA.
 holl-elinorgw@outlook.com
 www.pegwarchitects.com

Project:	No:	Revision:
Ty'n Llan		
Scale:	Status:	
1:100		



Maes Parcio Gorlif.
 Defnyddiau llawr sy'n caniatau dwr lifo. /
 Overflow Car Park.
 Parking with Permeable Paving

Rhandir Cegin. /
 Kitchen Allotment

Cynllun Parcio / Parking Plan

1 : 200

CLIENT:

PRINT REDUCTION BAR | A3 SHEET

ALL RIGHTS RESERVED. NO REPRODUCTION UNLESS WRITTEN CONSENT GIVEN

Drawing Status	Date	Rev.	Drawn	Auth.	Date	Rev.	Drawn	Auth.	Date	Rev.	Drawn	Auth.
F Feasibility	24/12/	FS	FM	EGW								
S Sketch Design												
Pr Preliminary												
Pl Planning												
B Building Control												
D Developed Design												
M Measurement												
T Tender												
C Construction												

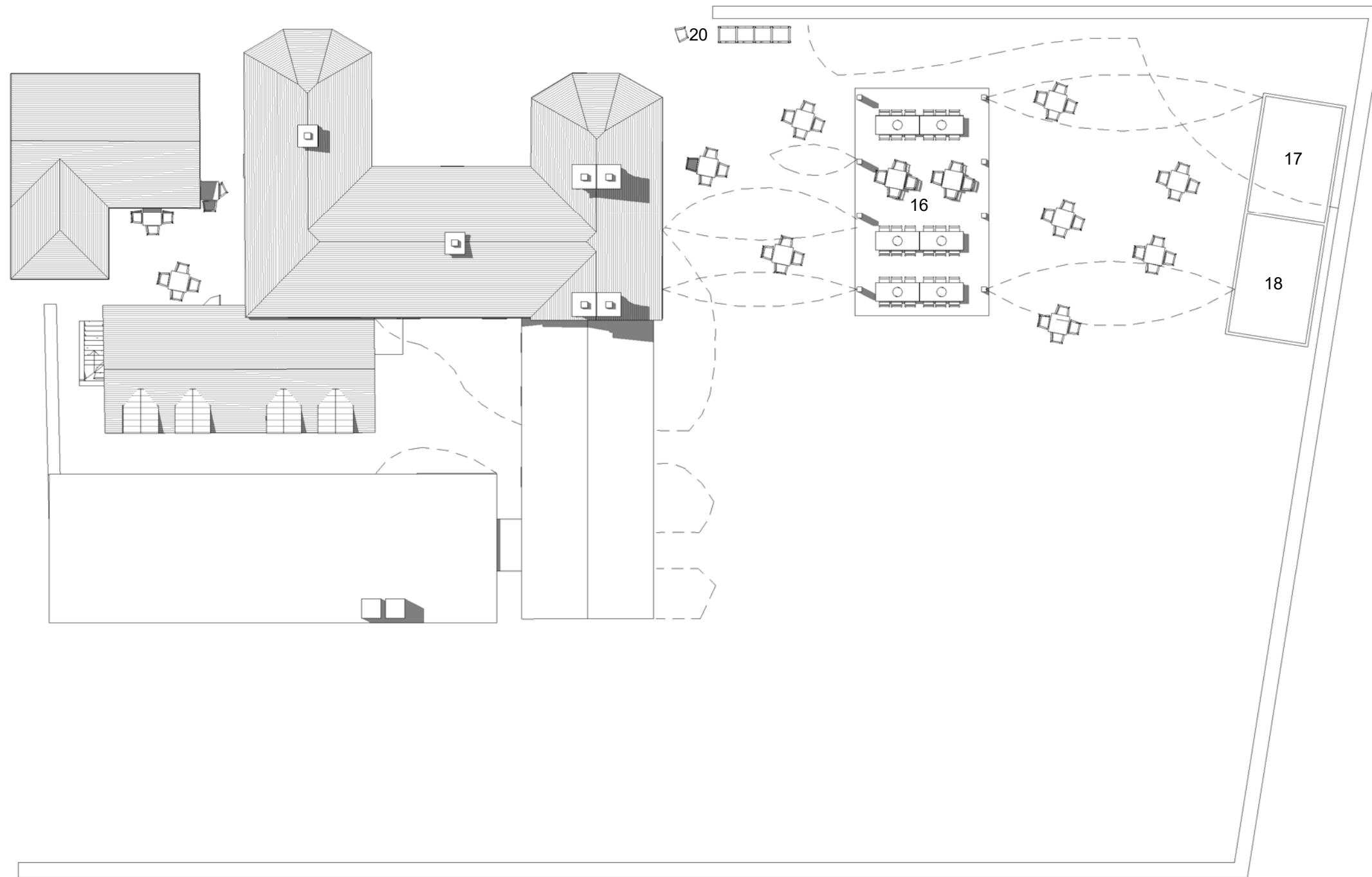


Project: Ty'n Llan, Llandwrog

Option 1 / Qpsaw 1 - Cynllun Parcio / Parking Plan

Project: Ty'n Llan	No:	Revision:
Scale: 1:200		Status:

Pegw Architects Ltd.
 Twrchill Cottage,
 Mount Pleasant Square,
 Caernarfon,
 LL55 1PA.
 holl@tinorgw@outlook.com
 www.pegwarchitects.com



Plan Key:

- 1) Bar
- 2) Traditional Pub / Tafarn Traddodiadol
- 3) TV
- 4) Piano
- 5) Pool Table / Bwrdd Pwl
- 6) Kitchen / Cegin
- 7) Dining Area / Ardal Fwyta
- 8) Fire / Tân
- 9) Toilets / Toiledau
- 10) Event Space / Gofod Digwyddiadau
- 11) Servery / Man Gweini Bwyd
- 12) Small Bar / Bar Bach
- 13) Staff Room / Ystafell Staff
- 14) External Seating Area / Ardal Seddi Allanol
- 15) Lift / Lifftr
- 16) Outdoor Seating / Seddi tu allan
- 17) Woodfire Pizza Ovens / Ffwrn Pizza
- 18) Outdoor Bar / Bar Awyr Agored
- 19) Edible Planting for Kitchen / Plannu Bwydadwy ar gyfer Cegin
- 20) Bike Racks / Raciâu Beic
- 21) Office / Swyddfa
- 22) Bedroom with En suite / Ystafell Wely gydag En suite
- 23) Terrace / Teras
- 24) Store / Storfa
- 25) Multi Functional Room / Ystafell Aml Ddefnydd
- 26) Plant Room / Ystafell Fecanyddol

Site Plan

1 : 200

CLIENT:



PRINT REDUCTION BAR | A3 SHEET

ALL RIGHTS RESERVED. NO REPRODUCTION UNLESS WRITTEN CONSENT GIVEN

Drawing Status	Date.	Rev.	Drawn.	Auth.	Date.	Rev.	Drawn.	Auth.
F Feasibility	03.07.21	F1	FM	EGW				
S Sketch Design	06.09.21	F2	FM	EGW				
Pr Preliminary	16.09.21	F3	FM	EGW				
Pf Planning	15.11.21	F4	FM	EGW				
B Building Control	24.11.21	F5	FM	EGW				
D Developed Design								
M Measurement								
T Tender								
C Construction								

Pegw A

Prosiect Ty'n Llan, Llandwrog

PegwArchitects Ltd.
Twithill Cottage,
Mount Pleasant Square,
Caermarfon,
LL55 1PA.

holl-elinorgw@outlook.com
www.pegwarchitects.com

Option 1 / Opstwn 1 - Site Plan

Project:	No:	Revision:
Ty'n Llan		
Scale:	Status:	
1:200		